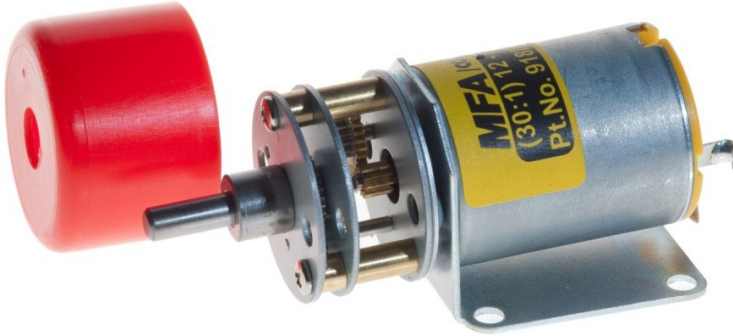


918D SERIES 25mm SINGLE RATIO METAL GEARBOX

RE280 MOTOR
RE 280/1 MOTOR
RE280/5 MOTOR



WITH 4mm OUTPUT SHAFT (ALL RATIOS)

RATIOS NOW AVAILABLE AS EX-STOCK ITEMS.
ALL WITH 4mm SHAFTS

918D61/1 (1.5v-3v) RE280 MOTOR (RATIO 6:1)	918D6112/1 (12v-24v) RE280/1 MOTOR (RATIO 6:1)	918D616/1 (3v-6v) RE280/5 MOTOR (RATIO 6:1)
918D151/1 (1.5v-3v) RE280 MOTOR (RATIO 15:1)	918D15112/1 (12v-24v) RE280/1 MOTOR (RATIO 15:1)	918D1516/1 (3v-6v) RE280/5 MOTOR (RATIO 15:1)
918D301/1 (1.5v-3v) RE280 MOTOR (RATIO 30:1)	918D30112/1 (12v-24v) RE280/1 MOTOR (RATIO 30:1)	918D3016/1 (3v-6v) RE280/5 MOTOR (RATIO 30:1)
918D1001/1 (1.5v-3v) RE280 MOTOR (RATIO 100:1)	918D100112/1 (12v-24v) RE280/1 MOTOR (RATIO 100:1)	918D10016/1 (3v-6v) RE280/5 MOTOR (RATIO 100:1)
918D1501/1 (1.5v-3v) RE280 MOTOR (RATIO 150:1)	918D150112/1 (12v-24v) RE280/1 MOTOR (RATIO 150:1)	918D15016/1 (3v-6v) RE280/5 MOTOR (RATIO 150:1)
918D2501/1 (1.5v-3v) RE280 MOTOR (RATIO 250:1)	918D250112/1 (12v-24v) RE280/1 MOTOR (RATIO 250:1)	918D25016/1 (3v-6v) RE280/5 MOTOR (RATIO 250:1)
918D3601/1 (1.5v-3v) RE280 MOTOR (RATIO 360:1)	918D360112/1 (12v-24v) RE280/1 MOTOR (RATIO 360:1)	918D36016/1 (3v-6v) RE280/5 MOTOR (RATIO 360:1)
918D5001/1 (1.5v-3v) RE280 MOTOR (RATIO 500:1)	918D500112/1 (12v-24v) RE280/1 MOTOR (RATIO 500:1)	918D50016/1 (3v-6v) RE280/5 MOTOR (RATIO 500:1)
918D10241/1 (1.5v-3v) RE280 MOTOR (RATIO 1024:1)	918D1024112/1 (12v-24v) RE280/1 MOTOR (RATIO 1024:1)	918D102416/1 (3v-6v) RE280/5 MOTOR (RATIO 1024:1)

This miniature gearbox is of steel and brass construction with brass gears and is mounted on a 1mm thickness steel bracket. It incorporates a high quality three pole motor with sleeved bearings. The design and construction of the unit make it suitable for a host of model and light industrial applications.

MOTOR DATA. (RE-280, RE-280/1 & RE-280/5)

MODEL	VOLTAGE		NO LOAD		AT MAXIMUM EFFICIENCY						STALL TORQUE	
	OPERATING RANGE	NOMINAL	SPEED	CURRENT	SPEED	CURRENT	TORQUE		OUTPUT	EFF	TORQUE	
			R.P.M.	A	R.P.M.	A	oz - in	g - cm	W	%	oz - in	g - cm
RE - 280	1.5 - 3.0	3.0v CONSTANT	8800	0.24	7200	1.06	0.32	23.2	1.70	53.8	1.75	126.0
RE - 280/1	12 - 24	12v CONSTANT	8224	0.046	6636	0.194	0.27	19.2	1.31	56.1	1.389	99.3
RE - 280/5	3 - 6	6v CONSTANT	9256	0.108	7703	0.534		23.7	1.87	58.4	2.648	141.2

REDUCTION TABLE. R.P.M. (NO LOAD)

SUPPLY VOLTAGE	1.5v	3.0v	6v	12v	18v	24v
918D61/1	771	1543				
918D6112/1			685	1371	2056	2741
918D616/1		771	1543			
918D151/1	309	579				
918D15112/1			274	548	822	1097
918D1516/1		309	579			
918D301/1	154	309				
918D30112/1			137	274	411	548
918D3016/1		154	309			
918D1001/1	46	93				
918D100112/1			41	82	123	164
918D10016/1		46	93			
918D1501/1	29	59				
918D150112/1			28	55	83	110
918D15016/1		31	62			
918D2501/1	19	37				
918D250112/1			16	33	49	66
918D25016/1		19	37			
918D3601/1	13	26				
918D360112/1			11	23	34	46
918D36016/1	13	26				
918D5001/1	9	19				
918D500112/1			8	16	25	33
918D50016/1		9	19			
918D10241/1	4.5	9				
918D1024112			4	8	12	16
918D102416/1		4.5	9			

Note: Motor speeds may vary by (+) or (-) 12.5%

WEIGHT	
918D61/1	75g
918D6112/1	75g
918D616/1	75g
918D151/1	75g
918D15112/1	72g
918D1516/1	75g
918D301/1	75g
918D30112/1	75g
918D3016/1	75g
918D1001/1	77g
918D100112/1	77g
918D10016/1	77g
918D1501/1	76g
918D150112/1	76g
918D15016/1	78g
918D2501/1	78g
918D250112/1	78g
918D25016/1	78g
918D3601/1	87g
918D360112/1	87g
918D36016/1	87g
918D5001/1	89 g
918D500112/1	89 g
918D50016/1	89 g
918D10241/1	89g
918D1024112	89g
918D102416/1	90g

IMPORTANT NOTICE

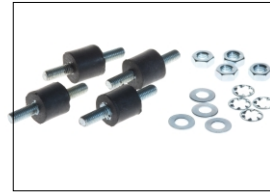
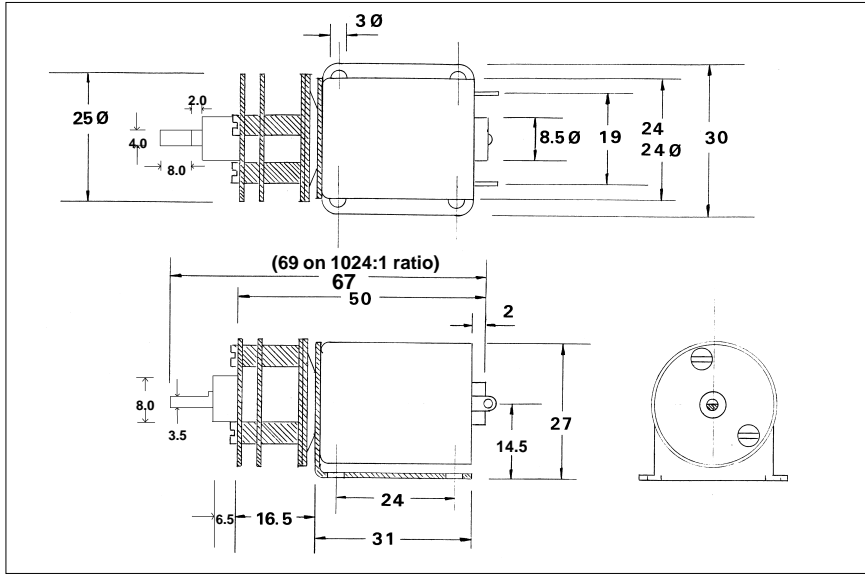
At very low ratios the torque produced by this geared motor combination may exceed the maximum permissible torque of the gearbox. In this situation the unit must not be allowed to stall as this may damage the gears.

IMPORTANT NOTICE

Due to the wide range of applications for this product it is the users responsibility to establish the products suitability for their individual purpose(s).

918D SERIES 25mm SINGLE RATIO METAL GEARBOX

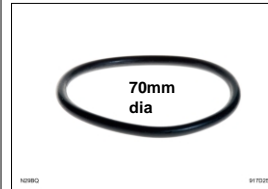
ACCESSORIES FOR 918D SERIES GEARBOX.



Part No. 1071. Anti vibration mount. M3. 9g



Part No. 918D10. Bearing Blocks. 4mm I.D. (20 x 20 x 12.5mm) . 32g



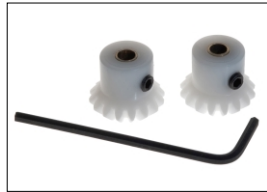
Part No. 917D2515. "O" Ring 70mm x 5mm Dia. 5g



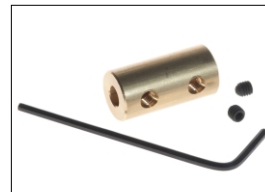
Part No. 918D8. Stainless Steel Shaft. 4mm OD x 150mm. 15g



Part No. 1105/61 Universal Coupling. 4mm - 4mm. 10g See Page 63 for full range of combinations



Part No. 918D7. Nylon Bevel Gears (1:1). O.D. 17.2mm. 4mm I.D.. Module 1.0. 6g



Part No. 918D1. In-Line Coupling. 2mm - 3mm. (Dia. 8mm x 20mm). 8g



Part No. 918D4. Gear Adapter. 2mm I.D. Shaft Dia 6mm. 4g



Part No. 917D2458. Pinions (Plastic) 12 tooth. 1.9mm I.D. 3g



Part No. 918D2. Pulley. 2mm I.D. (25mm dia. x 14.75mm) (Aluminium). 12g



Part No. 918D3. Pulley. 2mm I.D. (16mm dia. x 13.6mm) (Aluminium). 6g



Part No. 918D3/1. Pulley 4mm I.D. (16mm dia x 13.6mm) (Aluminium). 6g

GEARED MOTOR TORQUE RATINGS AT MAX. EFFICIENCY.

	3v Motor at 3v (g.cm)	12v Motor at 12v (g.cm)	6v Motor at 6v (g.cm)
6:1	96	120	115
15:1	219	274	260
30:1	390	488	462
100:1	1000	1000	1000
150:1	1200	1200	1200
250:1	1200	1200	1200
360:1	1200	1200	1200
500:1	1500	1500	1500
1024:1	1500	1500	1500

918D SERIES	
No load Backlash:	Max 2 deg.
Max Radial Load: (10mm from flange)	300gf.
Shaft Axial Load:	200gf.

NOTE: To establish Torque Rating in Nm, divide g.cm by 10,197.0

Subject to minimum order quantities of 250 units, the following ratios are also available with a six week lead-time. The physical dimensions of these other gearboxes may vary from the data as illustrated above. Details of individual gearboxes are available upon request.

GEARBOX 21:1 with RE280 motor (1.5v - 3v)
 GEARBOX 60:1 with RE280 motor (1.5v - 3v)
 GEARBOX 112:1 with RE280 motor (1.5v - 3v)
 GEARBOX 200:1 with RE280 motor (1.5v - 3v)
 GEARBOX 320:1 with RE280 motor (1.5v - 3v)
 GEARBOX 400:1 with RE280 motor (1.5v - 3v)
 GEARBOX 700:1 with RE280 motor (1.5v - 3v)
 GEARBOX 900:1 with RE280 motor (1.5v - 3v)

GEARBOX 21:1 with RE280/1 motor (12v - 24v)
 GEARBOX 60:1 with RE280/1 motor (12v - 24v)
 GEARBOX 112:1 with RE280/1 motor (12v - 24v)
 GEARBOX 200:1 with RE280/1 motor (12v - 24v)
 GEARBOX 320:1 with RE280/1 motor (12v - 24v)
 GEARBOX 400:1 with RE280/1 motor (12v - 24v)
 GEARBOX 700:1 with RE280/1 motor (12v - 24v)
 GEARBOX 900:1 with RE280/1 motor (12v - 24v)

GEARBOX 10:1 with RE280 motor (1.5v - 3v)
 GEARBOX 44:1 with RE280 motor (1.5v - 3v)
 GEARBOX 77:1 with RE280 motor (1.5v - 3v)
 GEARBOX 170:1 with RE280 motor (1.5v - 3v)
 GEARBOX 800:1 with RE280 motor (1.5v - 3v)
 GEARBOX 1153:1 with RE280 motor (1.5v - 3v)

GEARBOX 10:1 with RE280/1 motor (12v - 24v)
 GEARBOX 44:1 with RE280/1 motor (12v - 24v)
 GEARBOX 77:1 with RE280/1 motor (12v - 24v)
 GEARBOX 170:1 with RE280/1 motor (12v - 24v)
 GEARBOX 800:1 with RE280/1 motor (12v - 24v)
 GEARBOX 1153:1 with RE280/1 motor (12v - 24v)